
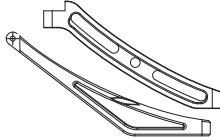
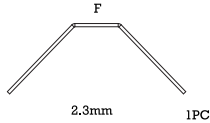
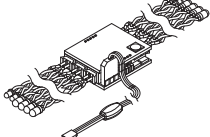
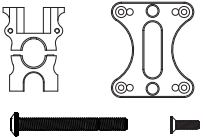
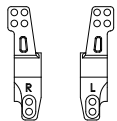
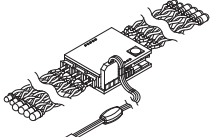
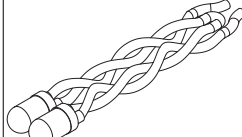

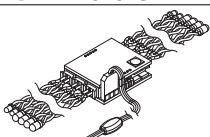
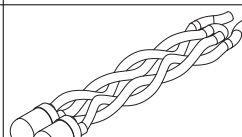
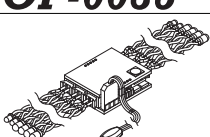

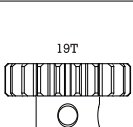
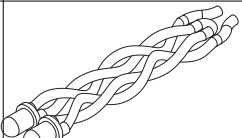
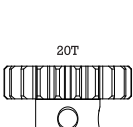
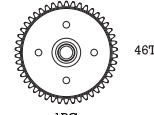
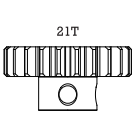
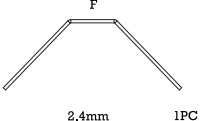
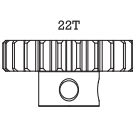
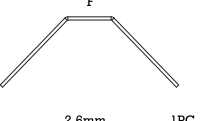
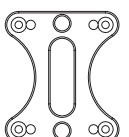
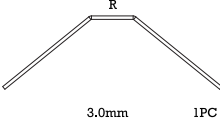
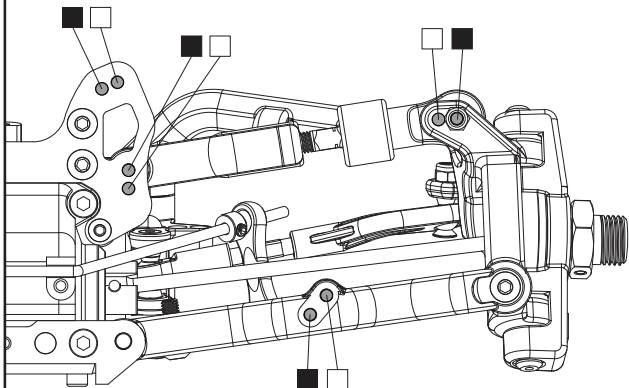
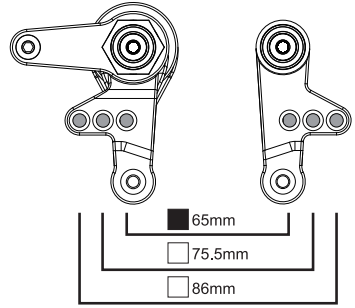
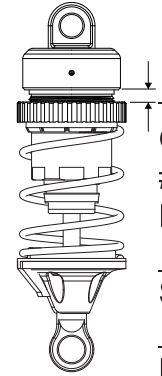
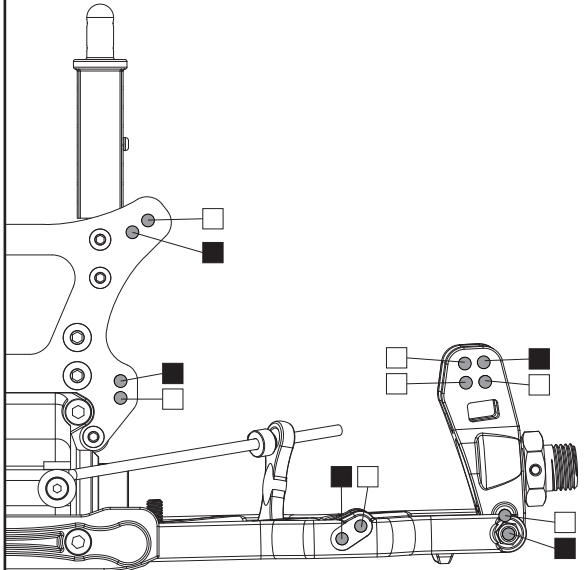
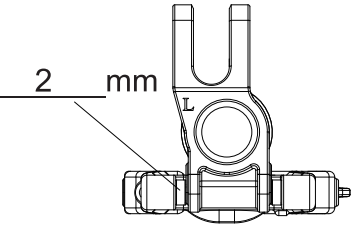
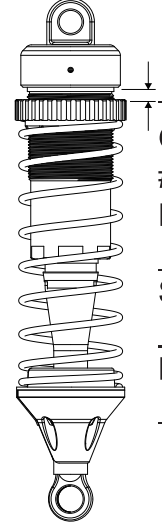


<b>OP-0030</b> 	<b>OP-0050</b> 	<b>87356</b> 			
<b>OP-0032</b> 	<b>OP-0052</b> 	<b>89147</b> 			
<b>OP-0033</b> 	<b>OP-0053</b> 	<b>89635</b> 			
<b>OP-0034</b> 	<b>OP-0054</b> 				
<b>OP-0035</b> 	<b>OP-0055</b> 				
<b>OP-0036</b> 	<b>OP-0056</b> 				
<b>OP-0037</b> 	<b>87005</b> 				
<b>OP-0038</b> 	<b>87329</b> 				
<b>OP-0039</b> 	<b>87329-2</b> 				
<b>OP-0049</b> 	<b>87329-3</b> 				

Driver : \_\_\_\_\_ Track : \_\_\_\_\_ Event : \_\_\_\_\_  
 Date : \_\_\_\_\_ Track Condition : \_\_\_\_\_

<b>Front Suspension</b> 	<b>Ackerman</b> 	<b>Front Shock</b> 															
	Toe: _____ 1 ° Caster: _____ 20 ° Camber: _____ -2 ° Anti-roll bar: _____ 2.5 mm Ride height: _____ 20 mm Droop: _____ mm	Oil: _____ 8 mm # _____ 300 Piston: _____ 17 mm Spring: _____ 1.9 Length: _____ 79 mm															
<b>Rear Suspension</b> 	<b>Wheelbase</b> 	<b>Rear Shock</b> 															
	Toe: _____ -3 ° Camber: _____ -2 ° Anti-roll bar: _____ 2.8 mm Ride height: _____ 20 mm Droop: _____ mm Anti-squat: <input type="checkbox"/> 1° <input checked="" type="checkbox"/> 2° <input type="checkbox"/> 3°	Oil: _____ 2 mm # _____ 300 Piston: _____ 17 mm Spring: _____ 2 Length: _____ 115 mm															
<b>Power</b> Motor: _____ ESC: _____ Pinion: _____ Spur: _____ Battery: _____	<b>Tires</b> <table border="1"> <thead> <tr> <th></th> <th>Front</th> <th>Rear</th> </tr> </thead> <tbody> <tr> <td>Brand:</td> <td>_____</td> <td>_____</td> </tr> <tr> <td>Compound:</td> <td>_____</td> <td>_____</td> </tr> <tr> <td>Insert:</td> <td>_____</td> <td>_____</td> </tr> <tr> <td>Wheel:</td> <td>_____</td> <td>_____</td> </tr> </tbody> </table>		Front	Rear	Brand:	_____	_____	Compound:	_____	_____	Insert:	_____	_____	Wheel:	_____	_____	<b>Differentials</b> Front: # _____ <input type="checkbox"/> Standard <input type="checkbox"/> Spider Center: # _____ <input type="checkbox"/> Standard <input type="checkbox"/> Spider Rear: # _____ <input type="checkbox"/> Standard <input type="checkbox"/> Spider
	Front	Rear															
Brand:	_____	_____															
Compound:	_____	_____															
Insert:	_____	_____															
Wheel:	_____	_____															
<b>ESC Setup</b> Brake: _____ Drag Brake: _____ Cut-off Volt.: _____ Punch: _____ Timing: _____ Throttle Limit: _____	<b>Notes</b> _____ _____ _____ _____ _____																